

**DANGER**

**!** **⚡** **⚠**

**DE** Anschluss **ausschließlich** durch ausgebildete Elektro-Fachkräfte.

**GB** Electrical connection is to be made by trained electrical specialists **only**.

**FR** Le branchement doit **uniquement** être effectué par des professionnels.

**IT** Il collegamento deve essere eseguito **solo** da elettricisti specializzati.

**ES** La conexión **sólo** debe ser realizada por electricistas debidamente formados.

**PT** A ligação deve ser feita **exclusivamente** por profissional elétrico especializado.

**NL** De aansluiting mag **enkel** gebeuren door erkende vakmensen.

**CZ** Připojení smí **provádět** pouze kvalifikovaný personál.

**PL** Podłączenie **wyłącznie** przez specjalistów-elektryków.

**FI** Liittäminen kuuluu **ainoastaan** koulutettujen sähköalan ammattilaisten tehtäviin.

**RU** Подключение проводится только специалистом-электриком.

**TR** Bağlantı **sadece** eğitimli elektrik teknisyenleri tarafından yapılmalıdır.

**CN** 布线需由专业电工执行

**DANGER**  
EVS 634 x40 75

**!** **⚠**

**DE** Bei Epilepsie ungeeignet!

**GB** Unsuitable for epilepsy sufferers.

**FR** Ne convient pas aux personnes souffrant d'épilepsie.

**IT** Inadatto per epilettici.

**ES** Inadecuado para epilépticos.

**PT** Não aconselhar a pessoas que sofrem de Epilepsia.

**NL** Niet geschikt voor epileptici.

**CZ** Nevhodné pro epileptiky.

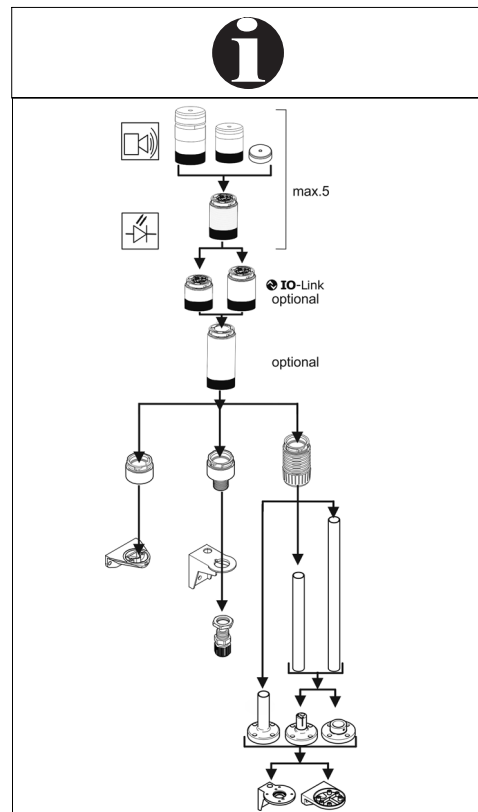
**PL** Nie stosować przy zchorzeniu padaczki.

**FI** Ei soveltu epileptikoille.

**RU** Не подходит для страдающих эпилепсией.

**TR** Epilepsi hastalığı olanların kullanmaması önerilir.

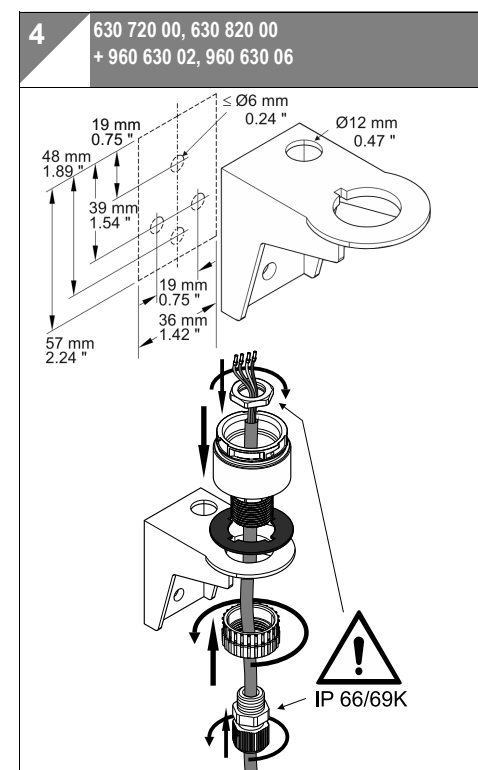
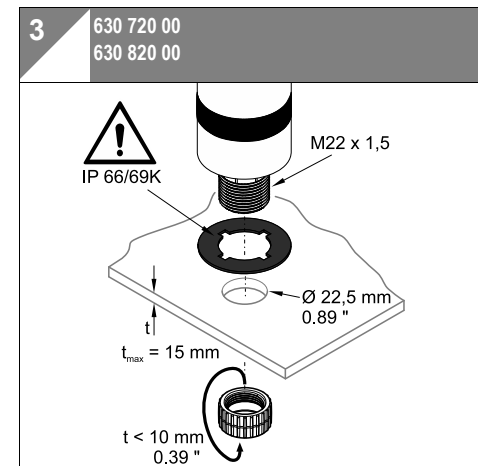
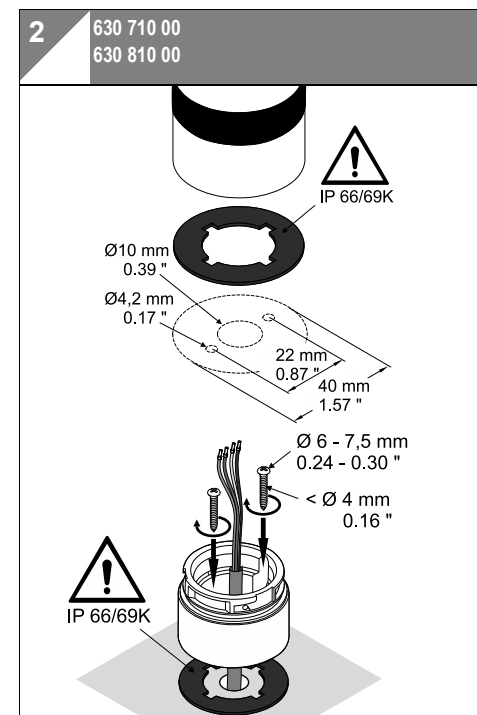
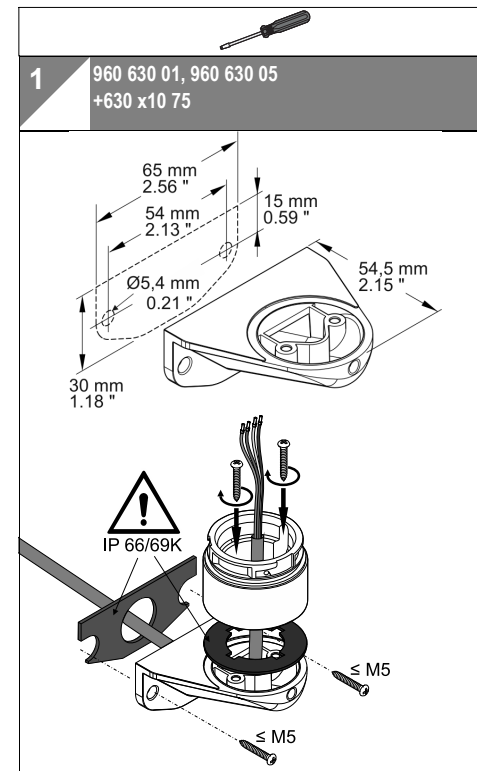
**CN** 不适用于癫痫病患者

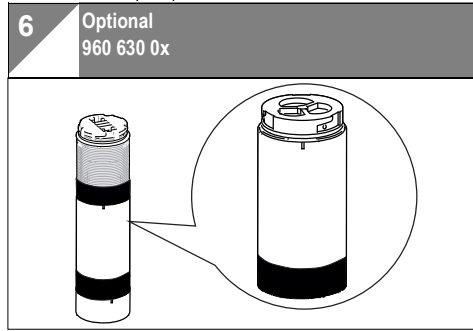
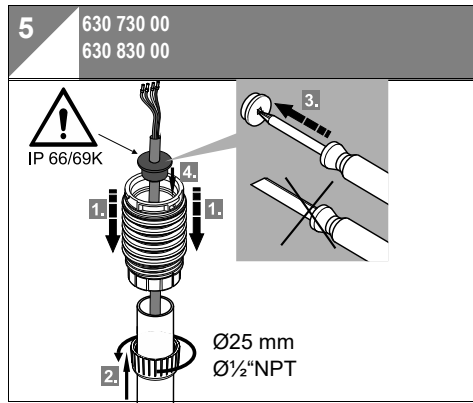


	630 x00 75	24V ≈	
	631 400 55 631 800 55		
	634 x10 75 634 x30 75	24V ≈ 24V ≈	I <sub>max</sub> 50 mA I <sub>max</sub> 50 mA
	634 x20 55 634 x40 55	24V = 24V =	I <sub>max</sub> 65 mA I <sub>max</sub> 65 mA
	634 450 55	24 V =	I <sub>max</sub> 100 mA
	635 x00 75 635 x10 75 635 820 75	24V ≈ 24V ≈ 24V ≈	I <sub>max</sub> 80 mA I <sub>max</sub> 200 mA I <sub>max</sub> 200 mA

	≤ Ø 9 mm ≤ Ø 0.35"	≥ 8 mm 0.28"	≥ 8 mm 0.28"	Ø 1-6 mm Ø 0.04-0.24"
	50±5 mm 2.76±0.2"	0.08-1,5 mm <sup>2</sup> AWG 28-16	≤ 0,75mm <sup>2</sup>	70±5 mm 2.76±0.2"





**7a** 631 400 55  
631 800 55 **IO-Link**

**CAUTION**

M12 PIN Assignment	Wire colour	Terminal	IO-Link Function
3	BU	1	L-
4	BK	2	C/Q
1	BN	3	L+
2	WH	4	+24V (optional)

**IODD** [www.werma.com/download](http://www.werma.com/download)

**7b** 630 700 75  
630 800 75

**CAUTION**

24V 5  
24V 4  
24V 3  
24V 2  
24V 1  
COM 0

**NOTICE**  
Com +  
Com -

**NOTICE**  
Multicolour 634 450 55

max. 3

Stage 3 Multicolour Pin 3 4 5  
Stage 2 Multicolour Pin 2 3 4  
Stage 1 Multicolour Pin 1 2 3

Colour (RD)	24V		
Colour (GN)		24V	
Colour (YE)	24V	24V	
Colour (BU)			24V
Colour (WH)	24V	24V	24V
Colour (CYAN)		24V	24V
Colour (VIOL)	24V		24V

**7c** 634 x10 75  
634 x30 75 **TwinLIGHT** \* = Default setting

Dip-Schalter Dip-Switch	Leuchtbild Light effect
1*	Dauerlicht, Permanent light
0	Blinklicht, Blinking light

**7d** 634 x20 55  
634 x40 55 **TwinFLASH** \* = Default setting

Dip-Schalter Dip-Switch	Leuchtbild Light effect
0*	Blitzlicht, Flashing light
1	EVS

**7e** 635 x00 75 \* = Default setting

**WARNING**

85 dB

Tone	Dip-Schalter Dip-Switch	Tone type	Frequencies	Pulse
1	0		2900Hz	1 HZ
2	1*		2900 Hz	

**7f** 635 x10 75 \* = Default setting

**WARNING**

89-95 dB

Tone	Code 1234	Tone type	Frequencies	Pulse
1*	000x		4300 Hz	
2	100x		2100 Hz	
3	010x		4300 Hz	1 Hz
4	110x		2100 Hz	1 Hz
5	001x		4300 Hz	420 Hz
6	101x		2100 Hz	420 Hz
7	011x		4300 Hz	20 Hz
8	111x		2100-4300 Hz	

Volume		
Switch 1234	@ 4300 Hz	@ 2500 Hz
xx00*	69 dB	67 dB
xx01	78 dB	78 dB
xx10	88 dB	88 dB
xx11	95 dB	93 dB

**7g** 635 x20 75 \* = Default setting

**WARNING**

67-95 dB

Tone		
Switch 1234	Type	Frequency
00xx*		2500 Hz
01xx		4300 Hz
10xx		2500 Hz
11xx		4300 Hz

Volume L <sub>APK</sub>		
Switch 1234	@ 4300 Hz	@ 2500 Hz
xx00*	69 dB	67 dB
xx01	78 dB	78 dB
xx10	88 dB	88 dB
xx11	95 dB	93 dB

